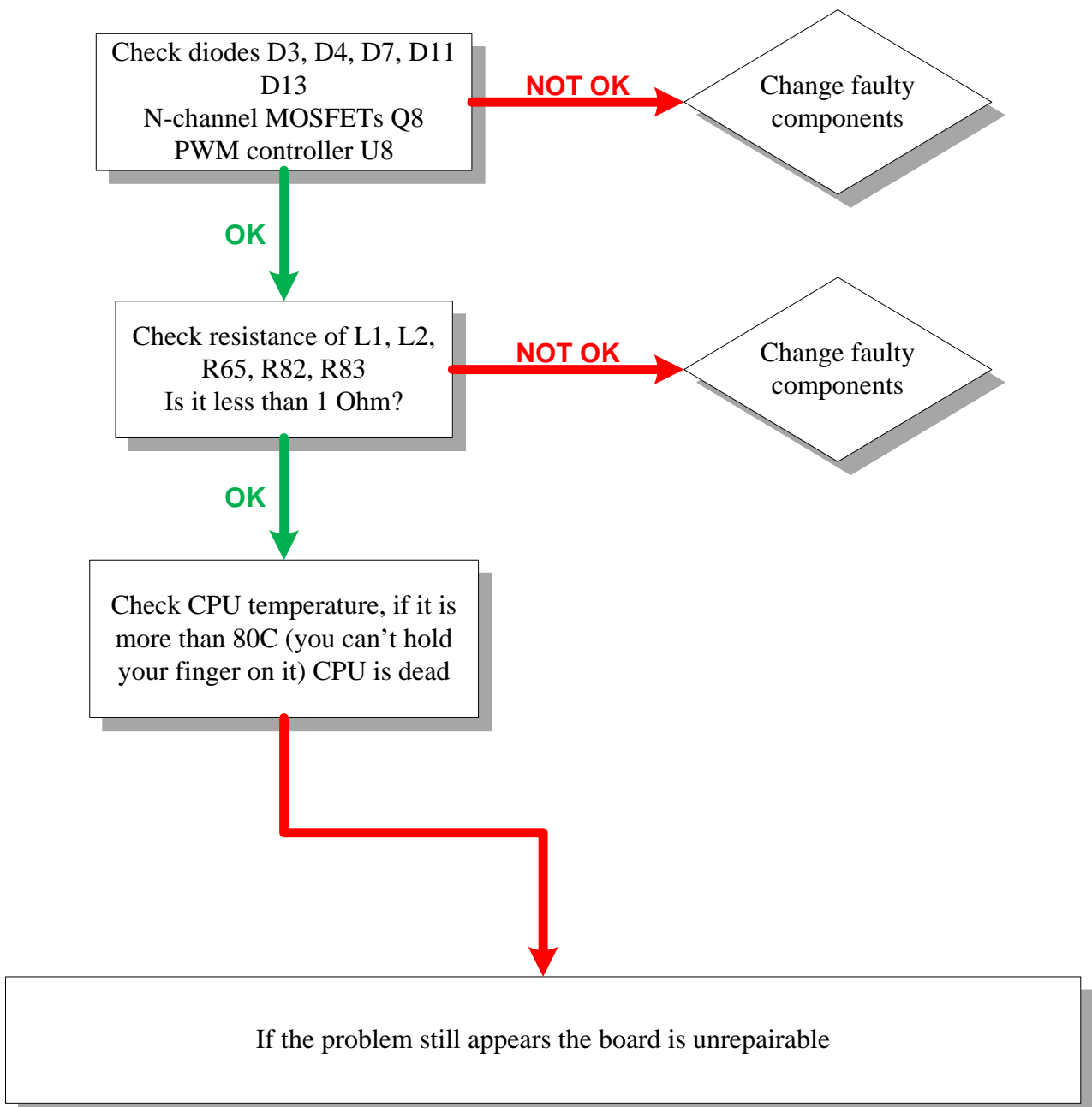


# RB153 Trouble shooting

These repair instructions are for **NON WARRANTY** repairs only!

Please make visual inspection for signs of corrosion or mechanical damages before starting.

**No power, power LED doesn't shine.**

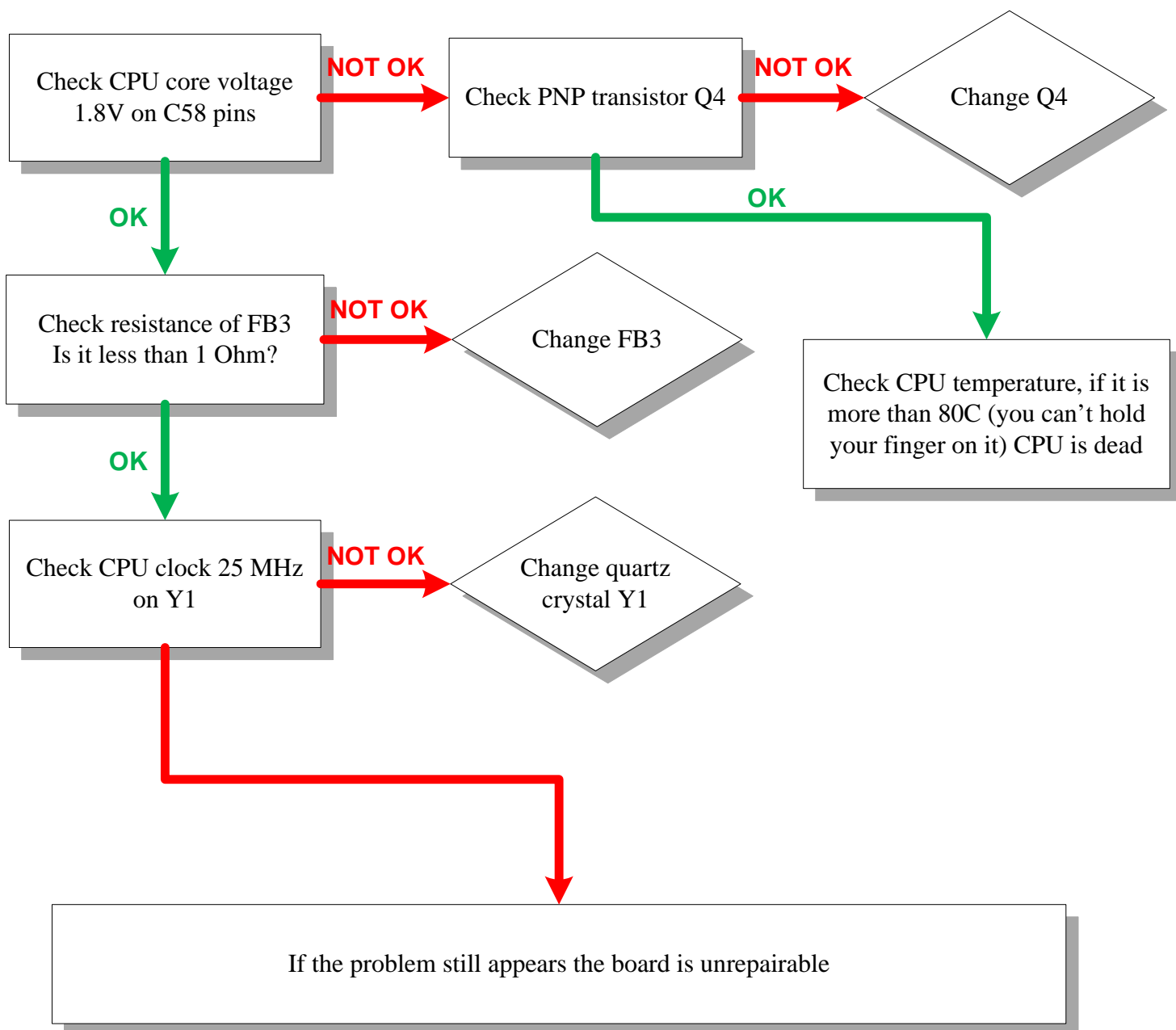


# RB153 Trouble shooting

These repair instructions are for **NON WARRANTY** repairs only!

Please make visual inspection for signs of corrosion or mechanical damages before starting.  
Also try to reset BIOS with S1 button and re-install Router OS with Netinstall.

**Doesn't boot, power LED is ON.**

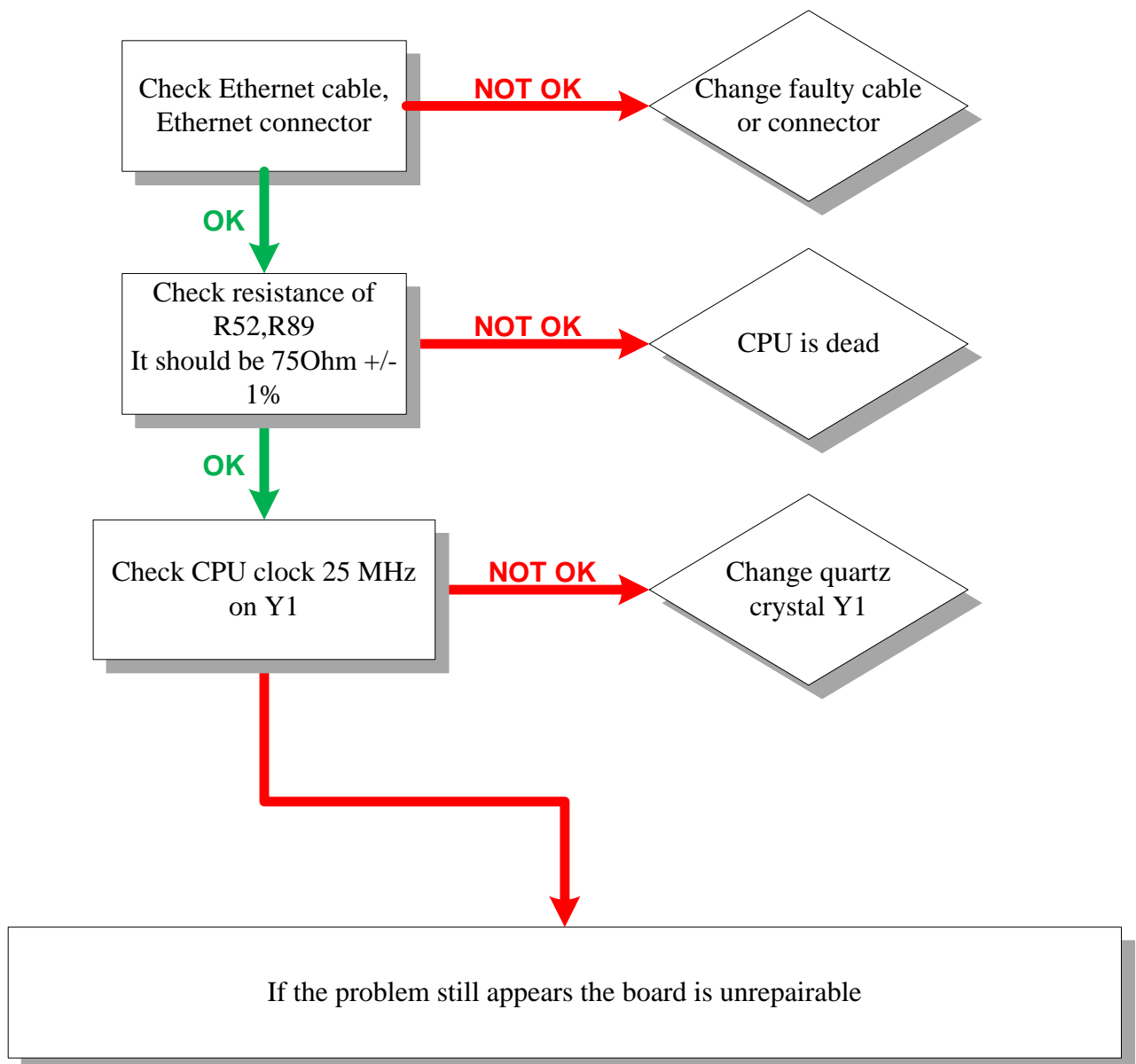


# RB153 Trouble shooting

These repair instructions are for **NON WARRANTY** repairs only!

Please make visual inspection for signs of corrosion or mechanical damages before starting.

**Ethernet doesn't work, drops ping packets.**



# RB153 Trouble shooting

These repair instructions are for **NON WARRANTY** repairs only!

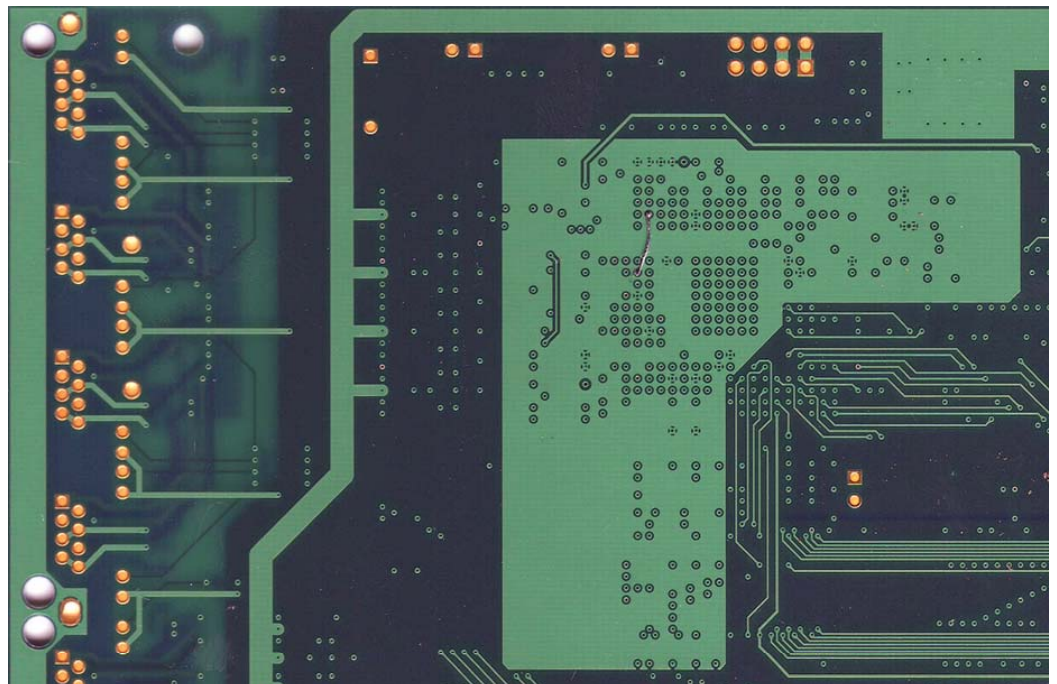
Please make visual inspection for signs of corrosion or mechanical damages before starting.

**RB153 locks up, stop responding with wireless cards.**

Check RB153 bottom side.  
Is there little wire soldered  
under CPU?

**NOT OK**

Very carefully remove varnish from vias  
and solder a wire like on picture below.



If the problem still appears the board is unrepairable

Reference number	Part number	Manufacturer	Description
D3, D4, D7, D13	STPS2150A	ST	Schottky Diode 150V, 2A, SMA
D11	STPS8L30B	ST	Schottky Rectifier 35V, 8.0A, TO-252
FB3	BLM18AG121SN1D	Murata	Ferrite Bead 120 Ohm, 200mA, 0603
L1, L2	BLM41PG600SN1L	Murata	Ferrite Bead 60 Ohm, 6A, 1806
Q4	2SB1412TLR	ROHM	PNP Transistor 20V, 5A, DPAK
Q8	STD5N20T4	ST	N-channel MOSFET 200V, 5A, DPAK
R65, R82, R83	ERJ-8RQFR22V	Panasonic	Resistor 0.22Ohm, 1%, 1206
R52, R89	ERJ-3EKF75R0V	Panasonic	Resistor 75Ohm, 1%, 0603
U8	LM5020MM	National	PWM Controller, MSOP10
Y1	TGSCSM2-25M0A50	TGS Crystals	SMD Quartz Crystal 25MHz

# RB153 Reference picture

